

# MD10B - 24/-230



## On/Off or 3-point 24 V AC/230 V AC Damper Actuator 10 Nm (90 in-lb)

MD10B series damper actuators for operating air control dampers in ventilation and air-conditioning systems for building services installations

- For air control dampers up to approx. 2 m<sup>2</sup> (2.4 yard<sup>2</sup>)
- Torque 10 Nm (90 in-lb)
- Nominal voltage AC/DC 24 V or 230V
- Control: On/Off or 3-point

### SPECIFICATIONS

#### Part numbers

MD10B-230 . . . . . 875-1011-000

MD10B-24 . . . . . 875-1015-000

#### Power supply

MD10B-24 . . . . . 24 V AC ±20%, 50–60 Hz,  
24 V DC ±20%

MD10B-230 . . . . . 230 V AC –56% to +15%, 50–60 Hz

#### Power consumption

##### In operation

MD10B-24 . . . . . 1.5 W @ nominal torque

MD10B-230 . . . . . 2.5 W @ nominal torque

##### At rest

MD10B-24 . . . . . 0.2 W

MD10B-230 . . . . . 0.6 W

#### For wire sizing

MD10B-24 . . . . . 3.5 VA

MD10B-230 . . . . . 5.5 VA

Connection cable . . . . . 1 m (3.3 ft), 3×0.75 mm<sup>2</sup>  
(AWG 18)

Angle of rotation . . . . . max. 95°  
(adjustable by mechanical stops)

Torque . . . min. 10 Nm (90 in-lb) @ nominal voltage

Running time . . . . . 150 s

Direction of rotation . . . . . Reversible with switch

Position indication . . . . . mechanical

#### Standards conformity

EMC . . . . .

2004/108/EC

LVD . . . . . 2006/95/EC (230 V only)

#### Protection class

MD10B-24 . . . . . III Safety extra-low voltage

MD10B-230 . . . . . II Totally insulated

Enclosure rating . . . . . IP 54

Ambient humidity . . . . . 95% r.H (EN 60730-1)

Ambient temperature:

Operation . . . . . –30 to +50 °C (–22 to +122 °F)

Storage . . . . . –40 to +80 °C (–40 to +176 °F)

Sound power level . . . . . max. 35 dB (A)

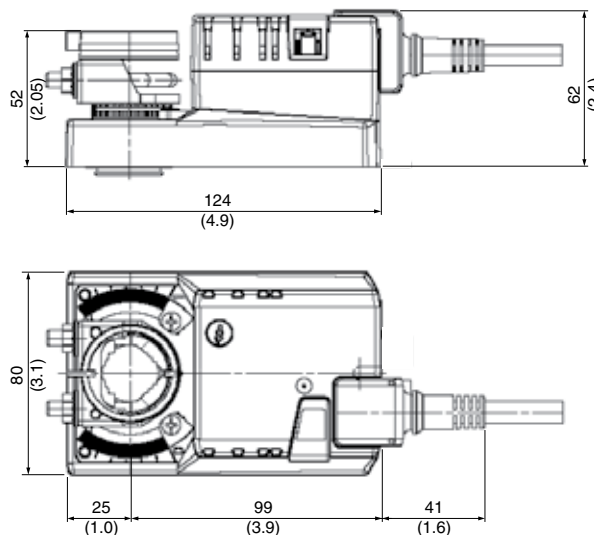
Maintenance . . . . . Maintenance-free

#### Weight

MD10B-24 . . . . . Approx 0.75 kg (1.7 lb.)

MD10B-230 . . . . . Approx 0.75 kg (1.7 lb.)

### DIMENSIONS mm (in)



Damper spindle (in.)	Length mm (in.)	Ø mm
Clamp on top	min. 40 (1.57)	8 ... 26.7 (0.31 ... 1.04)
Clamp on bottom*	min. 20 (0.78)	8 ... 20 (0.31 ... 0.78)

\*Option (Accessory K-MD10)

## FUNCTION

### Simple direct mounting

Simple direct mounting on the damper spindle with a universal spindle clamp, supplied with an anti-rotation strap to prevent the actuator from rotating.

### Manual override

Manual operation is possible with the self-resetting pushbutton (the gearing latch remains disengaged as long as the pushbutton is pressed or detented).

### Adjustable angle of rotation

Adjustable angle of rotation with mechanical end stops.

### High functional reliability

The actuator is overload-proof, requires no limit switches and automatically stops when the end stop is reached.

## SAFETY NOTES



**The damper actuator is not allowed to be used outside the specified field of application, especially in aircraft-**

**Caution: 230 V voltage !**

**The device may only be opened at the manufacturer's site. It does not contain any parts that can be replaced or repaired by the user.**

**The cables must not be removed from the device.**

**When calculating the required torque, the specifications supplied by the damper manufacturers (cross section, design, installation site), and the air flow conditions must be observed.**



**The device contains electrical and electronic components and is not allowed to be disposed of as household refuse. All locally valid regulations and requirements must be observed.**

## ACCESSORIES

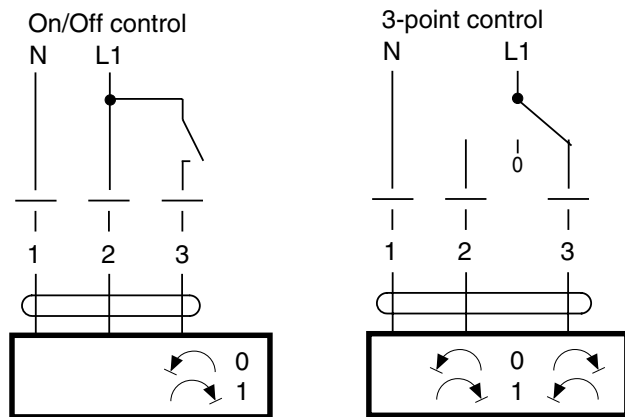
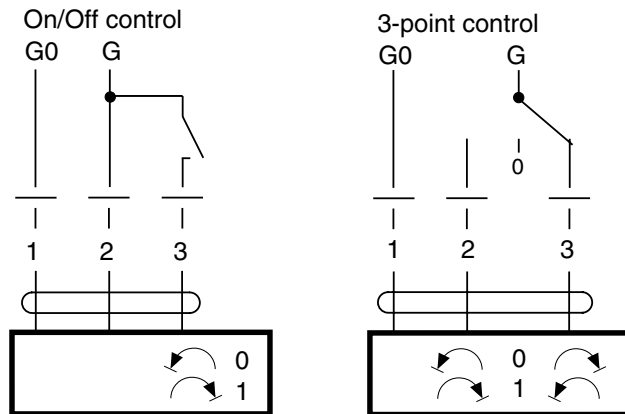
Please refer to data sheet G-30-90

“Accessories Damper Actuators”  
(part. no. 0-003-2251).

## WIRING



Direction of rotation



## WIRING

### MD10B-230



**Caution: 230 V voltage!**

Other actuators can be connected in parallel.  
Please note the performance data.

### MD10B-24



**Connection via safety isolating transformer!**

Other actuators can be connected in parallel.  
Please note the performance data.