

VF208W 25-200NS and VF208W 100-200NZ Butterfly Valves



The VF208W is a butterfly valve for the isolation and control of water for HVAC systems such as boiler isolation or heat pump change over from cooling to heating. The butterfly valves have elongated wafer type eyelets and are designed to be fitted between flanges . The VF208W can be operated either by an electric actuator (including spring return or “supercap” electronic return types), or by hand using a handlever.

Valve Features:

- Energy saving: EPDM soft seats provide tight shut off and zero leakage (Complete insulation possible according to German energy saving order, EnEV)
- Approved for use with drinking water (NS types to DVGW).
- The VF208W can be operated either by an electric actuator or by hand using a handlever
- Maintenance free, double sealing of stem, central disc bearing
- Good flow control characteristics
- Integrated dew point barrier,
- No linkage kits required

Technical Data

Pressure Class PN 16
 Leakage (EN 12266-1) . . Tight, (Leakage Rate A)
 Temperature Range. -10°C to +100
 Body. Nodular Iron (EN-JS1030)
 Disc (NZ types). Nodular Iron (EN-JS1030)
 Disc (NS types). St. Steel (AISI316/1.4581)
 Stem. 1.4021-QT

Ordering Information

Size	Kv	Stainless Steel Disc		Max ΔP (kPa)	Actuator	Handlever
		Part Number	Full Type Description			
DN25	26	VF208W-25NS	VF208W-25NS 26E B00	600	MF20	915-0065-000
DN32	26.5	VF208W-32NS	VF208W-32NS 26.5E B00	600	MF20	915-0065-000
DN40	50	VF208W-40NS	VF208W-40NS 50E B00	600	MF20	915-0065-000
DN50	115	VF208W-50NS	VF208W-50NS 115E B00	600	MF20	915-0065-000
DN65	260	VF208W-65NS	VF208W-65NS 260E B00	600	MF20	915-0065-000
DN80	375	VF208W-80NS	VF208W-80NS 375E B00	600	MF20	915-0100-000
DN100	760	VF208W-100NS	VF208W-100NS 760E B00	600	MF20	915-0100-000
DN125	1,025	VF208W-125NS	VF208W-125NS 1025E B00	600	MF40	915-0200-000
DN150	1,790	VF208W-150NS	VF208W-150NS 1790E B00	300	MF40	915-0200-000
DN200	3450	VF208W-200NS	VF208W 200NS 3450E B00	300	MF40	915-0200-000

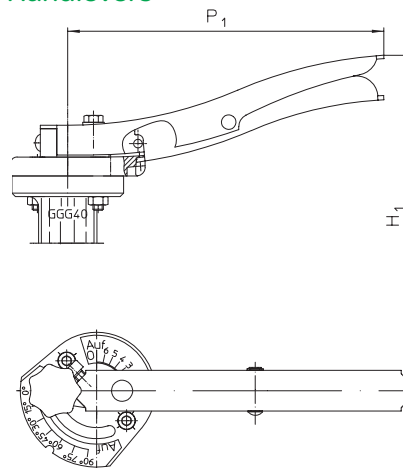
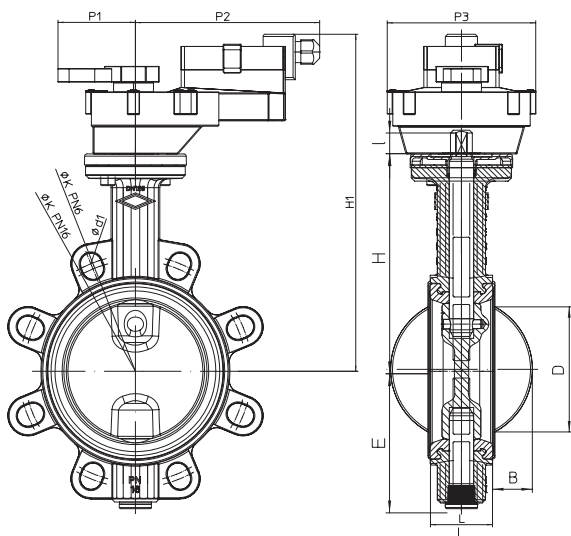
Size	Kv	Nodular Iron Disc		Max ΔP (kPa)	Actuator	Handlever
		Part Number	Full Type Designation			
DN100	760	VF208W-100NZ	VF208W 100NZ 760E B00	600	MF20	915-0100-000
DN125	1025	VF208W-125NZ	VF208W 125NZ 1025E B00	600	MF40	915-0200-000
DN150	1790	VF208W-150NZ	VF208W 150NZ 1790E B00	300	MF40	915-0200-000
DN200	3450	VF208W-200NZ	VF208W 200NZ 3450E B00	300	MF40	915-0200-000

Shaded items are stocked products

Contact Product Management for larger sizes / higher Media temperatures / lugged flange connections

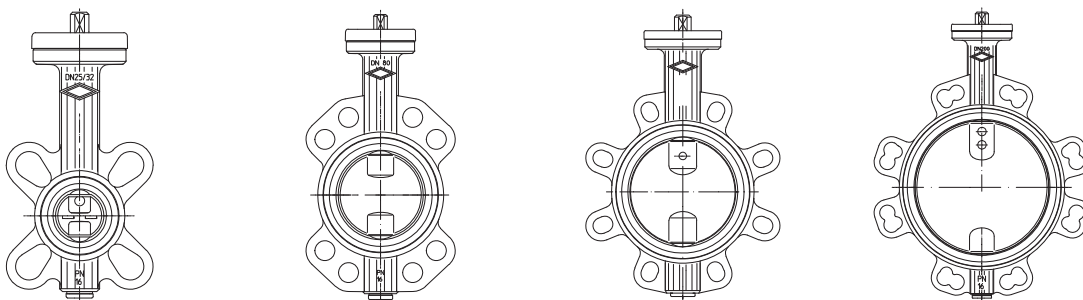
Dimensions

Handlevers



Valve, DN	25	32	40	50	65	80	100	125	150	200
L	33	33	33	43	46	46	52	56	56	60
H	128	128	134	140	150	158	179	196	212	246
E	58	58	66	69	81	100	109	124	140	137
I	15	15	15	15	15	15	15	18	18	18
B			5	5	11	18	25	36	48	71
D			26	29	49	68	88	115	142	194
Actuator	MF20 (MF20SR)						MF40 (MF40ER)			
H1	212 (226)	212 (226)	218 (232)	224 (238)	234 (248)	242 (256)	263 (277)	293 (306)	309 (322)	343 (356)
P1	70 (32)						69 (69)			
P2	142 (210)						166 (214)			
P3	95 (104)						134 (134)			
Handlever	915-0065-000					915-0100-000		915-0200-000		
P ₁	184						273			
H ₁	187	187	193	199	209	217	238	263	279	313

Flange Dimensions and Bolt Hole Sizing



DN25-65

DN80-100

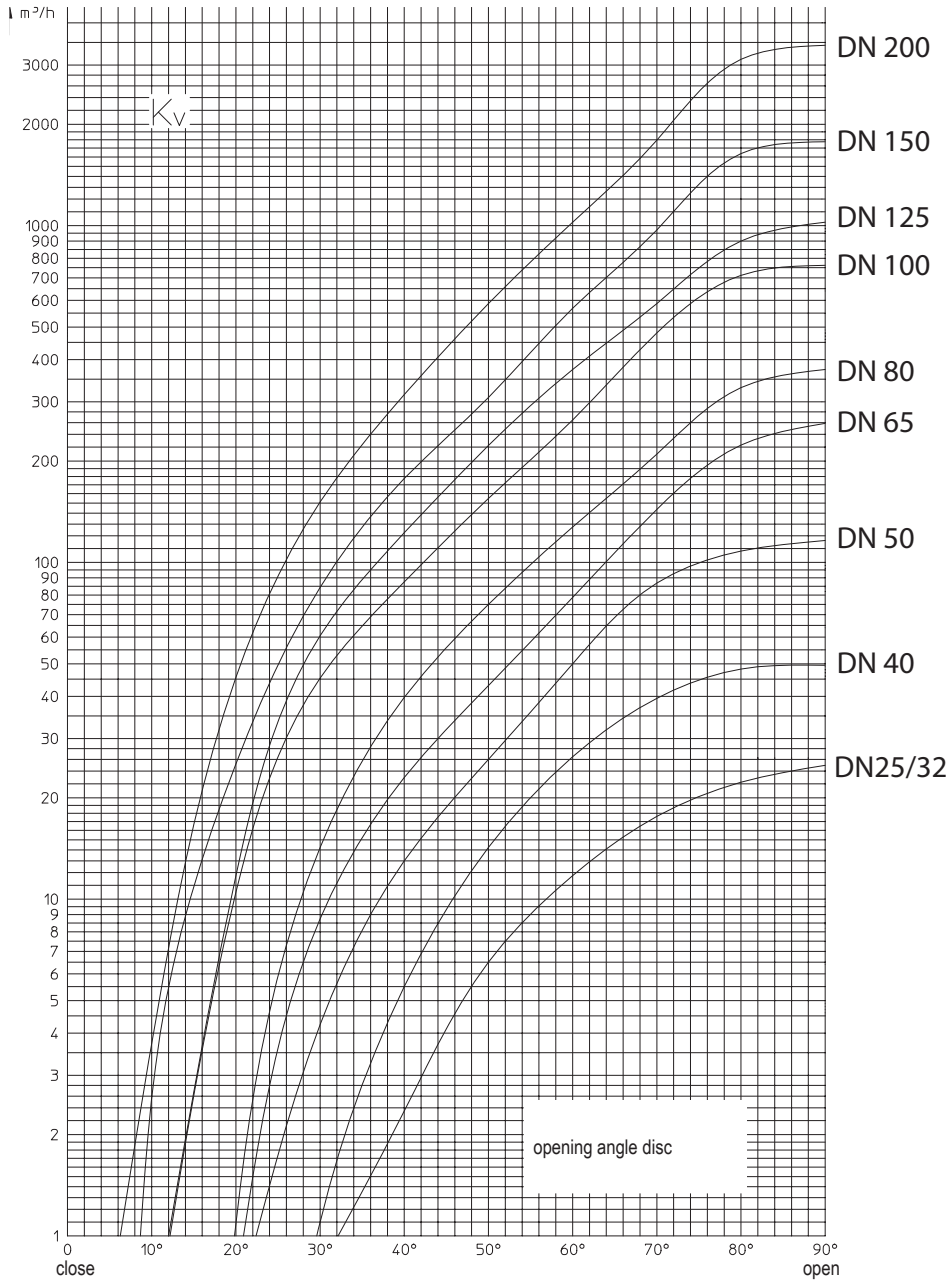
DN125-150

DN200

DN	25	32	40	50	65	80	100	125	150	200	
øK (mm)	85	100	110	125	145	160	180	210	240	295	
n x ød1 (mm)	4x14	4x18				8x18			8x22	12x22	
No. of Eyelets	4					8				12	
Bolt Dia.	M12	M16					M20			M20	
Bolt Length (mm)	90			100	110		120	130		140	

All dimensions on this page are listed in mm.

Flow Curves



Flow Equations

$$K_v = \frac{Q}{\sqrt{\Delta P}}$$

Kv = Flow coefficient, m³/h @ 1 bar

Q = Volume Flow rate, m³/h

$$\Delta P = \left(\frac{Q}{K_v} \right)^2$$

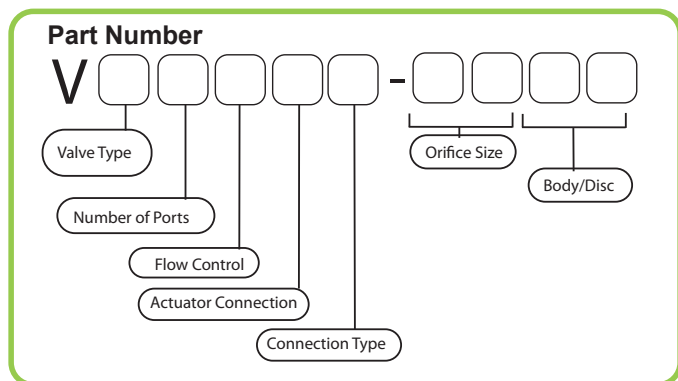
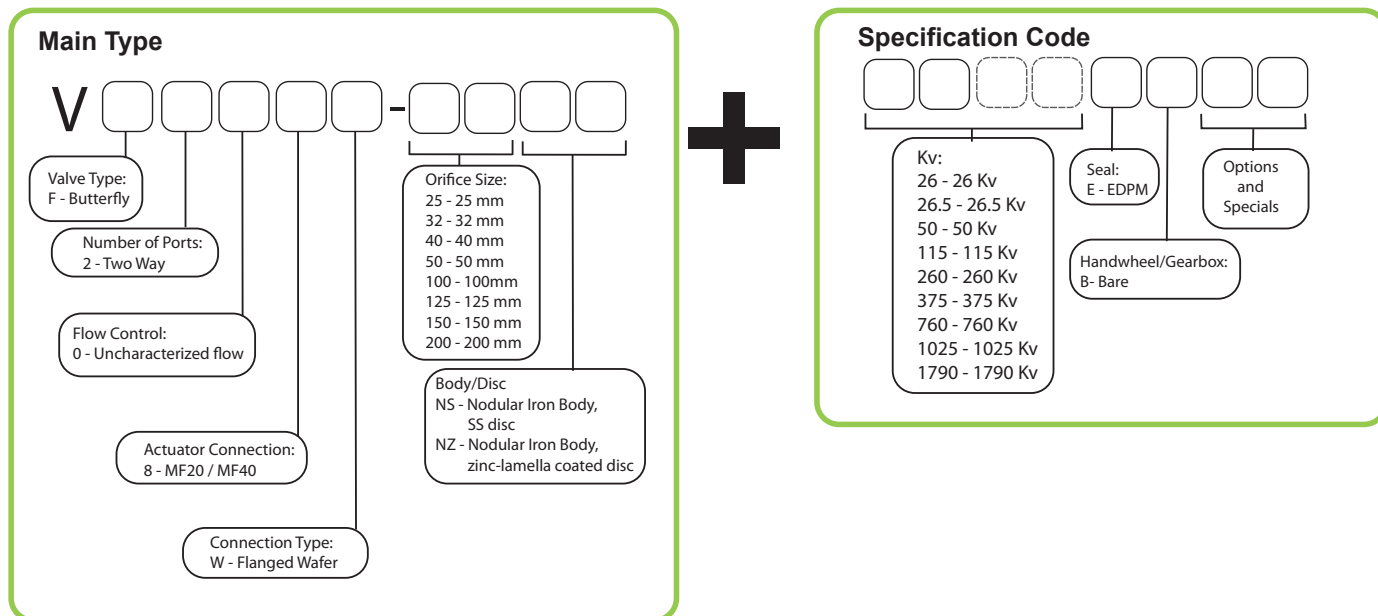
P = Pressure drop, bar

$$Q = K_v \sqrt{\Delta P}$$

Flow equations based on fluid density of 1

Type Designation and Part Number

Type Designation



Recommended Actuators

Control	Voltage	Torque	Part Number	Type Designation	Suitable VF208W Valve Sizes	Literature
Floating & On/Off	24 VAC/DC	20 Nm	MF20-24F	MF20-24F T54 00	DN25-100	F-27639
Floating & On/Off	230 VAC	20 Nm	MF20-230F	MF20-230F T54 00	DN25-100	
0(2)-10V Proportional	24 VAC/DC	20 Nm	MF20-24M	MF20-24M T54 00	DN25-100	
LON	24 VAC/DC	20 Nm	MF20-24L	MF20-24M 1M54 00	DN25-100	
On/Off	24-240 VAC/ 24-125 VDC	20 Nm	MF20SR-TS	MF20SR-24/230TS 1M54 00	DN25-100	F-27872
0(2)-10V Proportional	24 VAC/DC	20 Nm	MF20SR-24M	MF20SR-24M 1M54 00	DN25-100	F-27640
Floating & On/Off	24 VAC/DC	40 Nm	MF40-24F	MF40-24F T54 00	DN125-200	
Floating & On/Off	230 VAC	40 Nm	MF40-230F	MF40-230F T54 00	DN125-200	
0(2)-10V Proportional	24 VAC/DC	40 Nm	MF40-24M	MF40-24M T54 00	DN125-200	
LON	24 VAC/DC	40 Nm	MF40-24L	MF40-24M 1M54 00	DN125-200	F-27871
On/Off	24 VAC/DC	40 Nm	MF40ER-24T	MF40ER-24T 1M54 00	DN125-200	
0(2)-10V Proportional	24 VAC/DC	40 Nm	MF40ER-24M	MF40ER-24M 1M54 00	DN125-200	